

Built-in Combination Deadbolt Lock for All Locker Styles

Order at Hogwild
www.hogwild.com
 (800) 464-9453



The 1670 Series is the highest security, built-in combination deadbolt lock for lift handle, turn handle, single point latch, and box lockers; ideal for open mesh lockers.



1670 SERIES

Exclusive Features

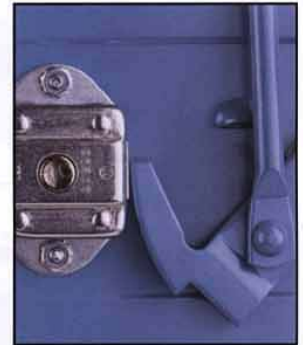
- Horizontal bolt travel provides maximum engagement to latch mechanism
- Deadbolt locking is ideal for open mesh and ventilated lockers with access to back of lock
- Manual action requires the dial to be turned to relock the door
- Fits all locker styles

Built-In Combination Lock Advantages

- Concealed mounting and rugged steel case deter vandalism
- Secure, three digit combination is easy to dial
- Longer useful life with five different combinations - easily changed with the touch of a button, which maintains security for new students or employees
- Standard key control allows quick supervisory access



1670 locked.



1670 unlocked.

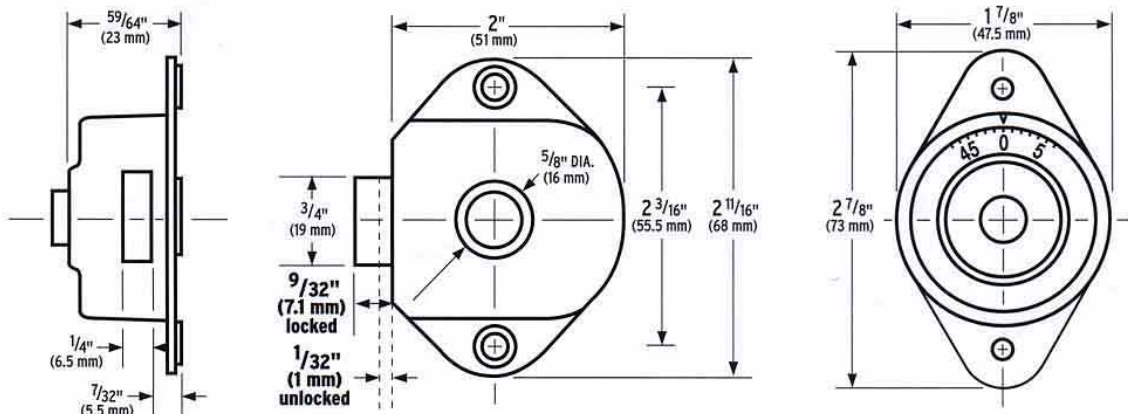
- End user registration and control charts provided to secure and simplify administration
- Model 1671 is available for left-handed doors

Product Options

- Brass escutcheon plate available to add an elegant appearance to wood locker doors; order number 1670BE or 1671BE
- Extension set available for doors with a thickness of 11/16" (17mm) to 3/4" (19mm); order number 1654-0320



SPECIFICATIONS



1670 shown. Required door thickness 0.045 - 0.125 in. (1.1 mm - 3.2 mm)

Order at Hogwild
www.hogwild.com
 (800) 464-9453

Master Lock