

Built-in Combination Lock for Box Lockers

Order at Hogwild
www.hogwild.com
(800) 464-9453



The 1654 Series is the most popular lock for multiple-tier and box lockers with pull or friction latch handles; it offers high security and convenient automatic locking.

1654 SERIES

Exclusive Features

- Horizontal travel, standard length locking bolt retracts flush with lock body
- Spring bolt action for convenient, automatic locking
- Ideal for box or multiple-tiered lockers

Built-In Combination Lock Advantages

- Concealed mounting and rugged steel case deter vandalism
- Secure, three digit combination is easy to dial
- Longer useful life with five different combinations - easily changed with the touch of a button, which maintains security for new students or employees
- End user registration and control charts provided to secure and simplify administration
- Standard key control allows quick supervisory access
- Model 1655 is available for left-handed doors



1654 locked.



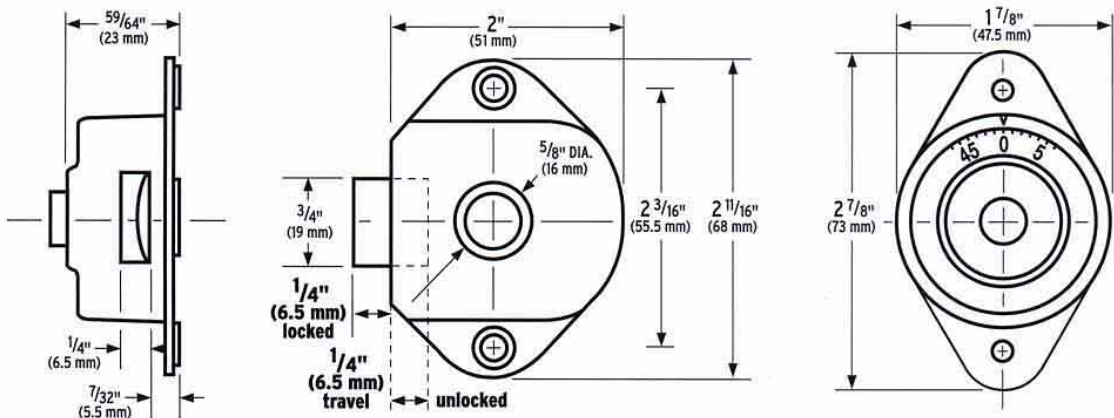
1654 unlocked.

Product Options

- Brass escutcheon plate available to add an elegant appearance to wood locker doors; order no. 1654BE or 1655BE
- Extension set available for doors with a thickness of 11/16" (17 mm) to 3/4" (19 mm); order no. 1654-0320



SPECIFICATIONS



1654 shown. Required door thickness 0.03 - 0.125 in. (0.8 - 3.2mm)

Order at Hogwild
www.hogwild.com
(800) 464-9453

Master Lock