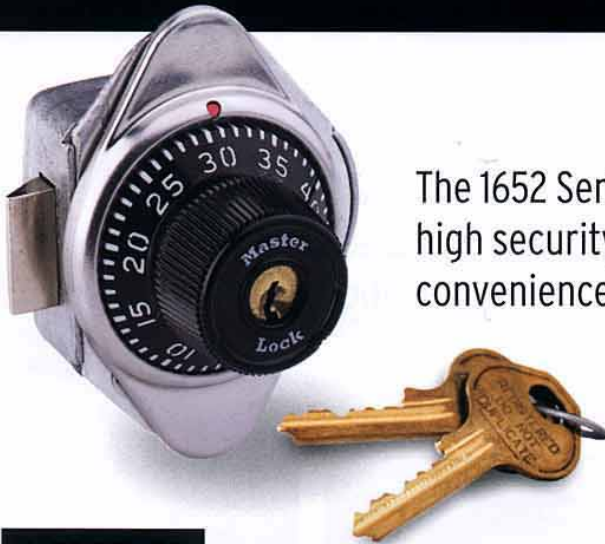


# Built-in Combination Lock for Single Point Latch Lockers

Order at Hogwild  
[www.hogwild.com](http://www.hogwild.com)  
 (800) 464-9453



The 1652 Series is the only built-in lock to offer the high security of an extended bolt throw with the convenience of an automatic locking spring bolt.

## 1652 SERIES

### Exclusive Features

- Extra-long locking bolt for high security
- Springbolt action for convenient, automatic locking
- Tested and recommended by Debough, GSS, Hadrian, Lyon, and Penco for use on their SPL lockers

### Built-in Combination Lock Advantages

- Concealed mounting and rugged steel case deter vandalism
- Secure, three digit combination is easy to dial
- Longer useful life with five different combinations - easily changed with the touch of a button, which maintains security for new students or employees



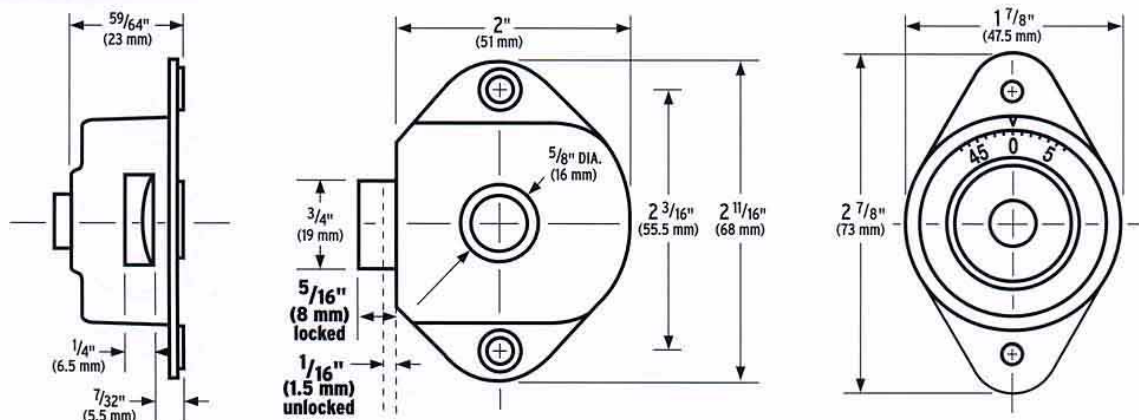
1652 locked.



1652 unlocked.

- End user registration and control charts provided to secure and simplify administration
- Standard key control allows quick supervisory access
- Model 1653 is available for left-handed doors

## SPECIFICATIONS



1652 shown. Required door thickness 0.03 - 0.125 in. (0.8 - 3.2mm)

**Master Lock**

Order at Hogwild  
[www.hogwild.com](http://www.hogwild.com)  
 (800) 464-9453